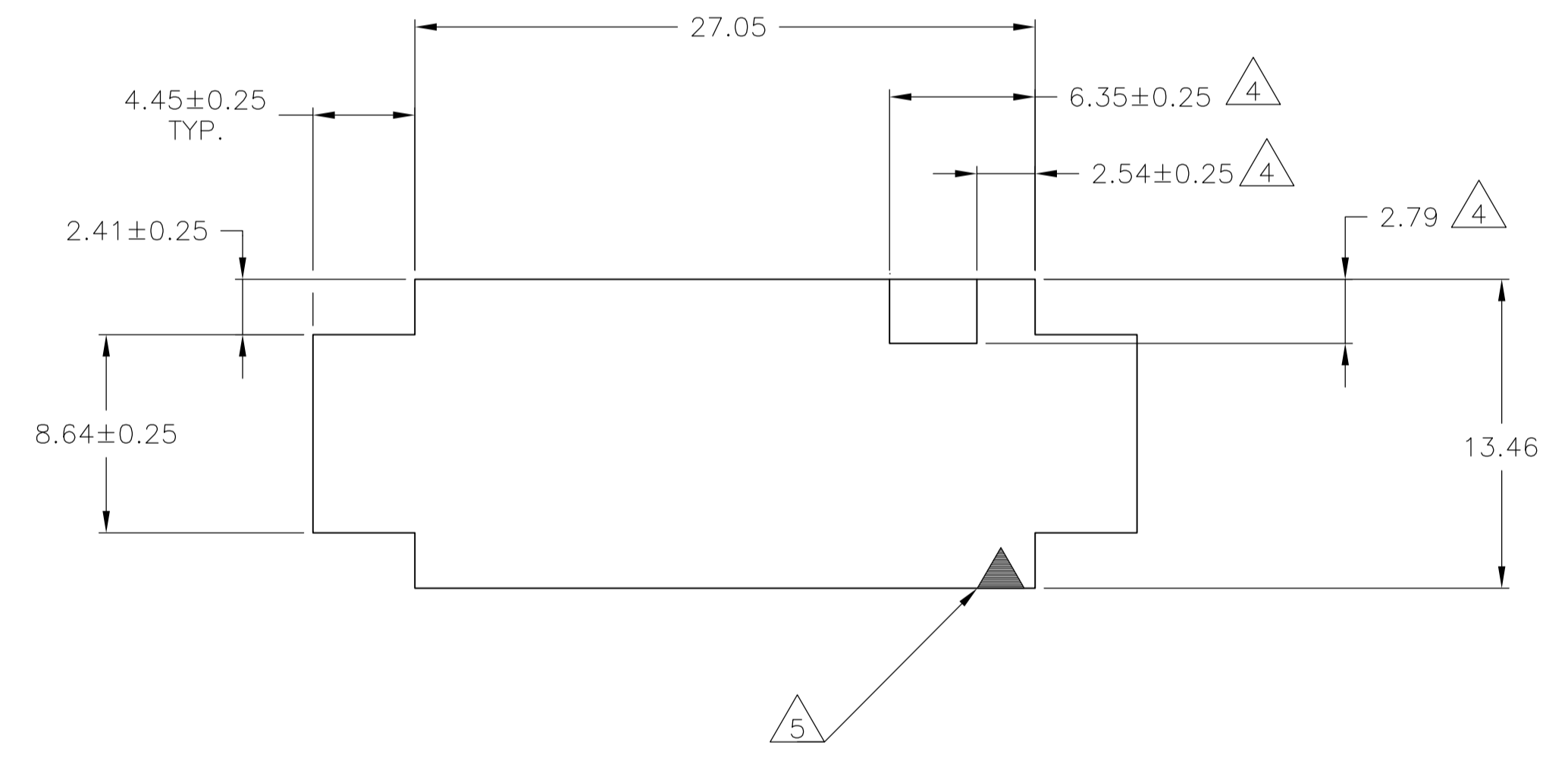
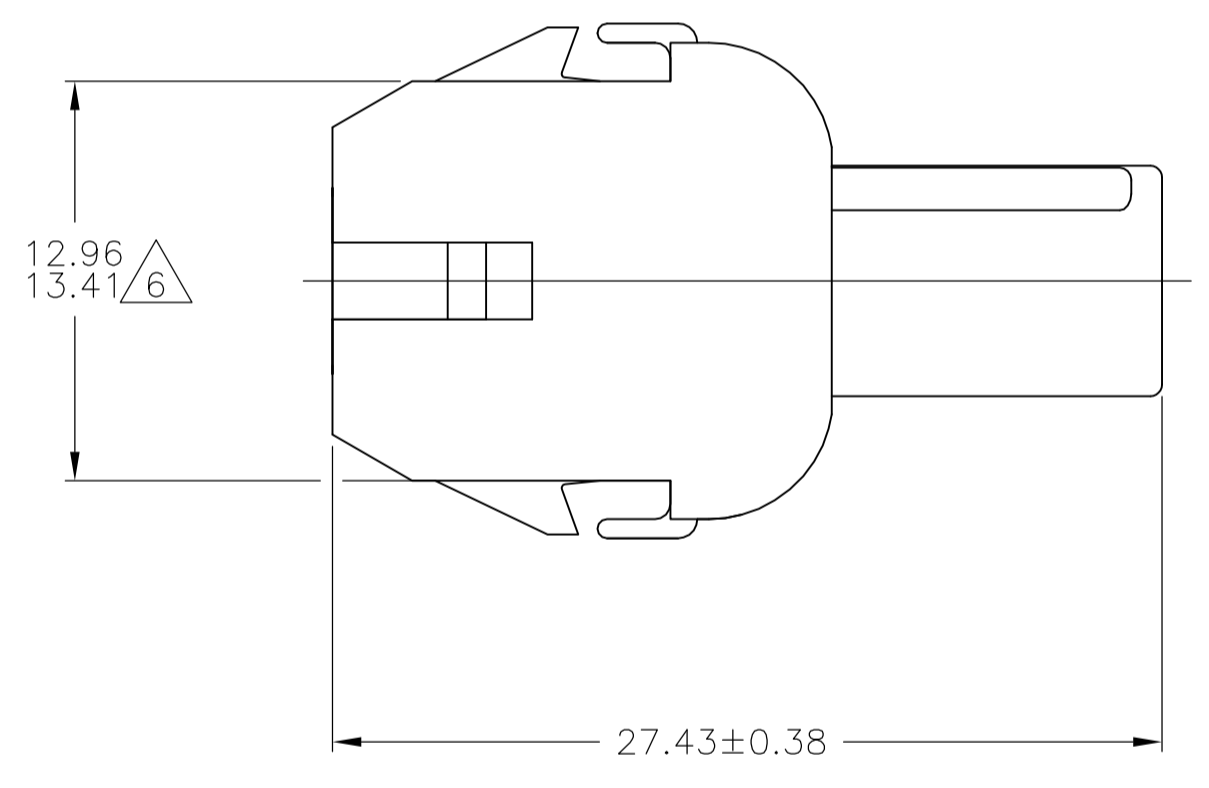
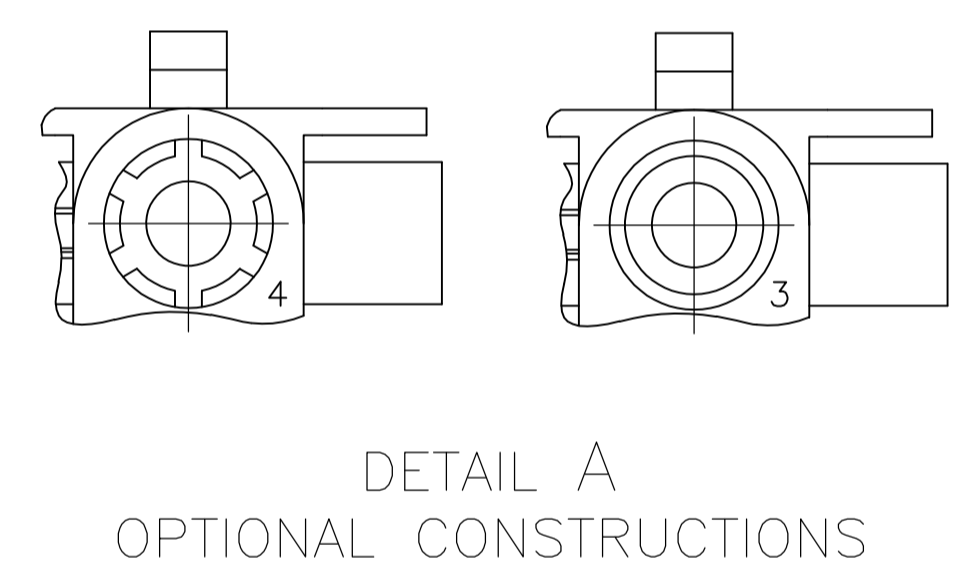
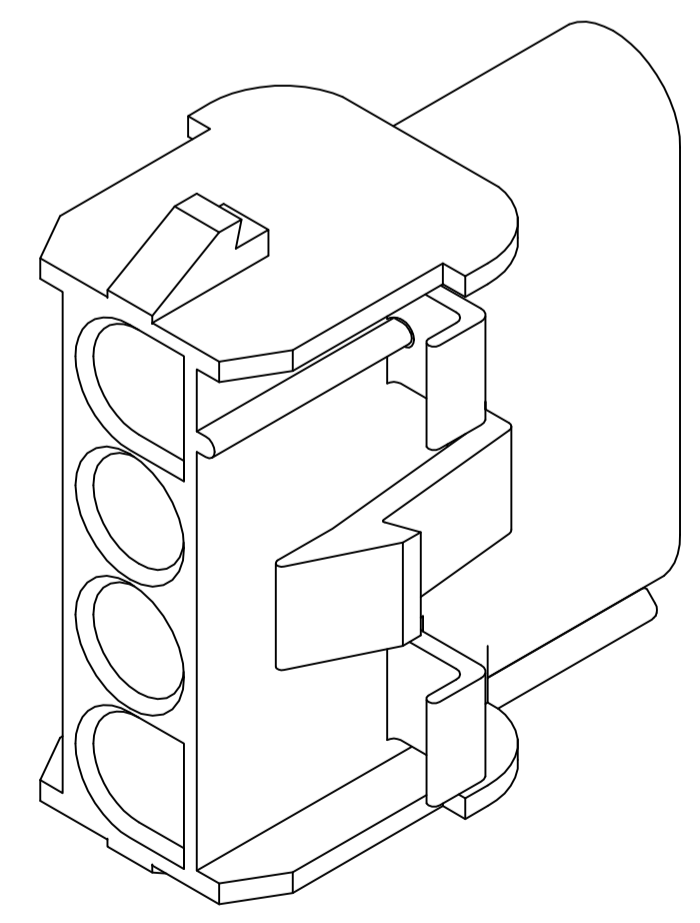


- MATES WITH APPROPRIATE UNIVERSAL MATE-N-LOK™ PLUG.
 - RECOMMENDED PANEL THICKNESS 0.76 - 2.29.
 - PANEL MUST BE PUNCHED SO THAT THE HOUSING ENTERS THE PANEL IN THE SAME DIRECTION AS THE PUNCH.
- △4 OPTIONAL FOR KEYING HOUSING IN PANEL.
 - △5 CIRCUIT NUMBER 1 LOCATION.
 - △6 UPPER DIMENSION REPRESENTS POTENTIAL MAXIMUM GROWTH DUE TO MOISTURE ABSORPTION.
 - △7 FOUR RIBS EQUALLY SPACED, NO SPECIFIC ORIENTATION. NO RIBS OR SIX RIBS EQUALLY SPACED, NO SPECIFIC ORIENTATION, OPTIONAL.
 - △8 UNDERWRITERS RECOGNIZED COMPONENT LOGO AND CSA CERTIFICATION LOGO TO BE LOCATED ONCE EACH ON SIDE OF HOUSING.
 - △9 MANUFACTURING LOCATION ID (OPTIONAL).
 - △10 TRADEMARK LOCATION (AMP OR TE CONNECTIVITY).
 - △11 OBSOLETE PARTS: OBSOLETE CIS STREAMLINING PER D.RENAUD/D.SINISI



RECOMMENDED PANEL CUT OUT



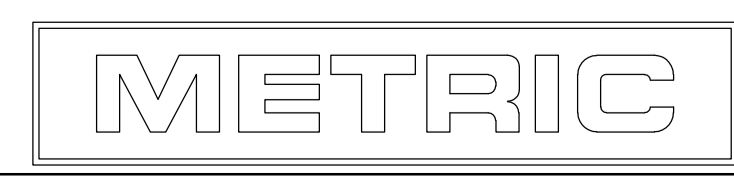
7.62	.300	27.43	1.080
6.35	.250	27.10	1.067
4.45	.175	27.05	1.065
2.79	.110	26.67	1.050
2.54	.100	13.46	.530
2.41	.095	13.41	.528
2.29	.090	12.96	.510
0.76	.030	8.64	.340
0.38	.015	8.13	.320
MM	IN	MM	IN

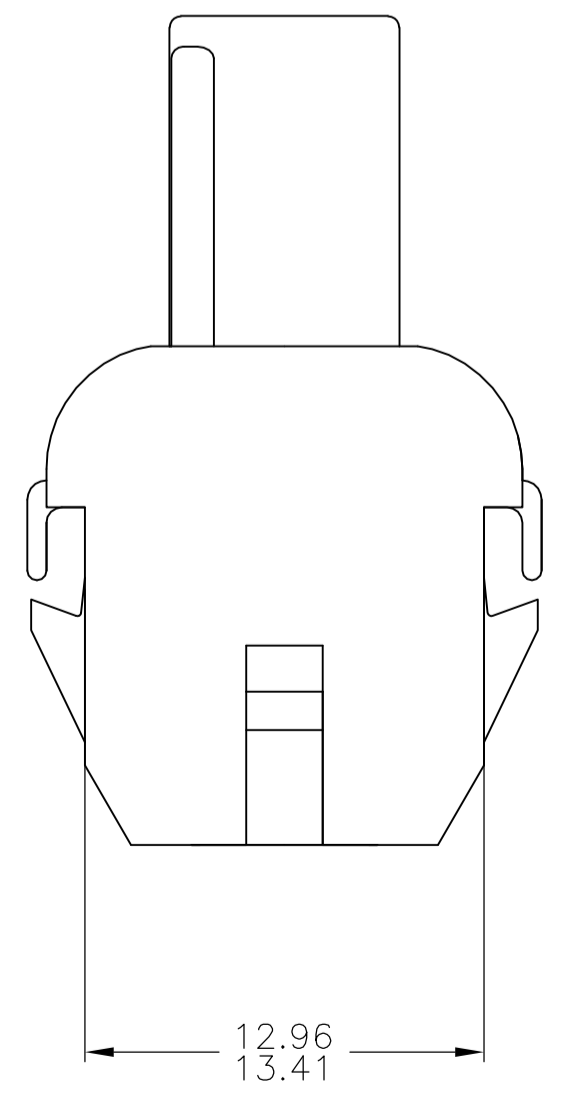
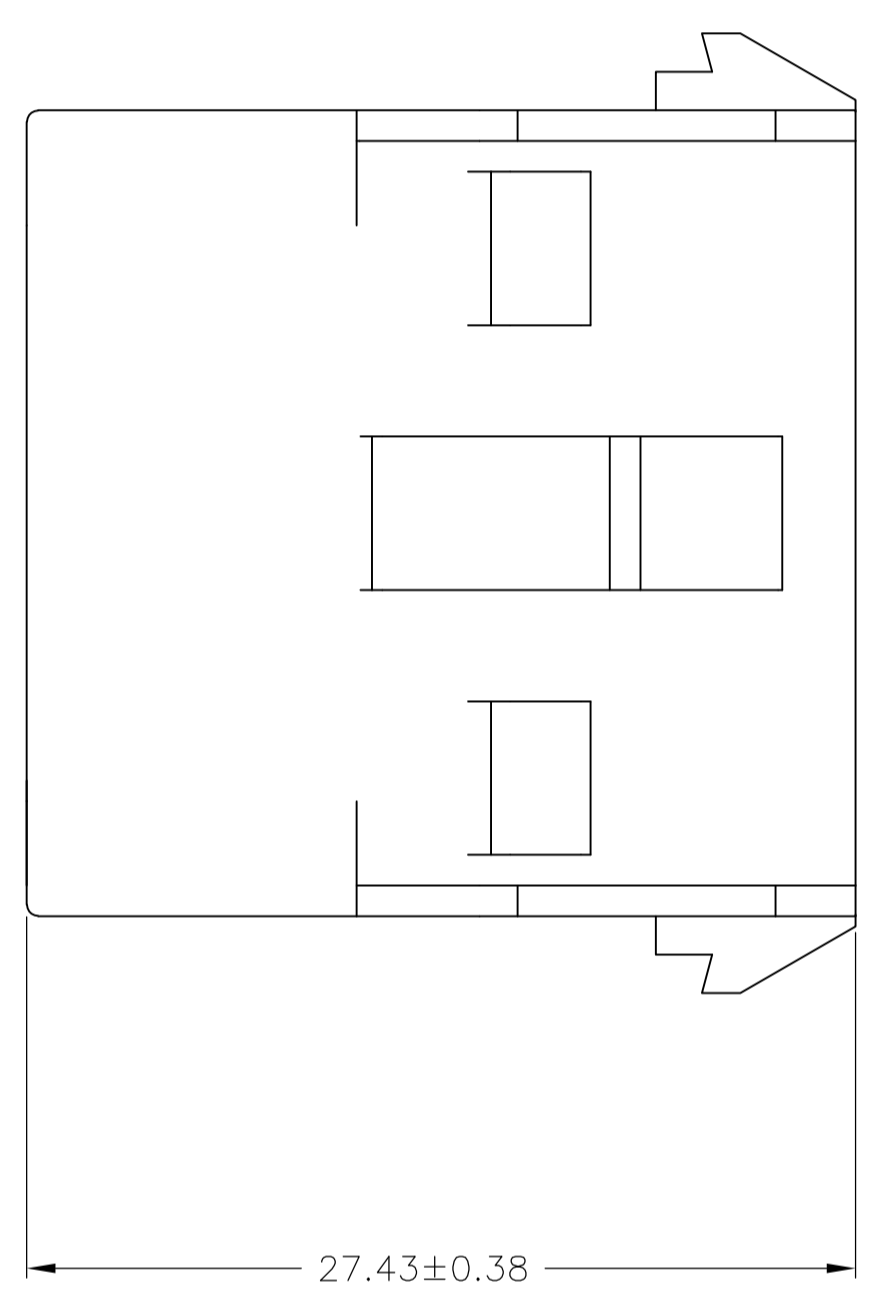
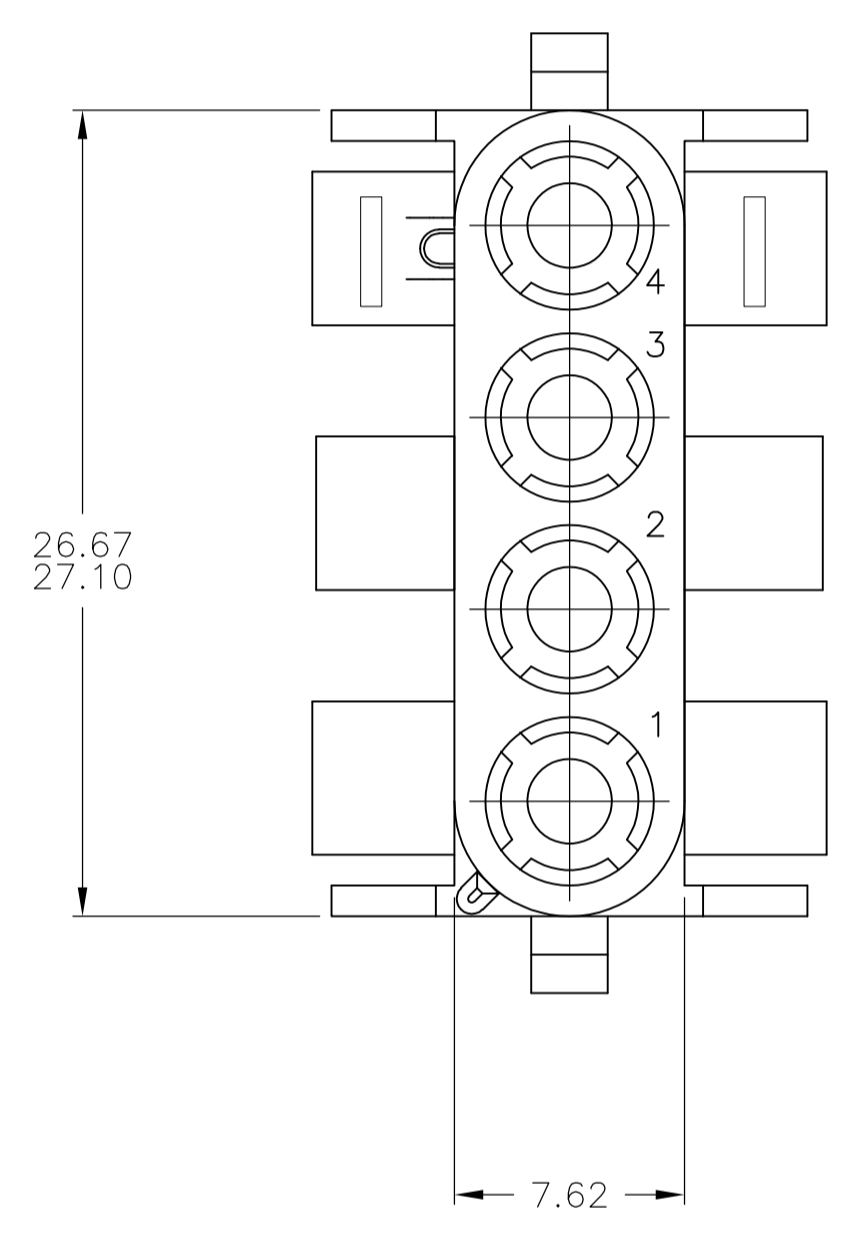
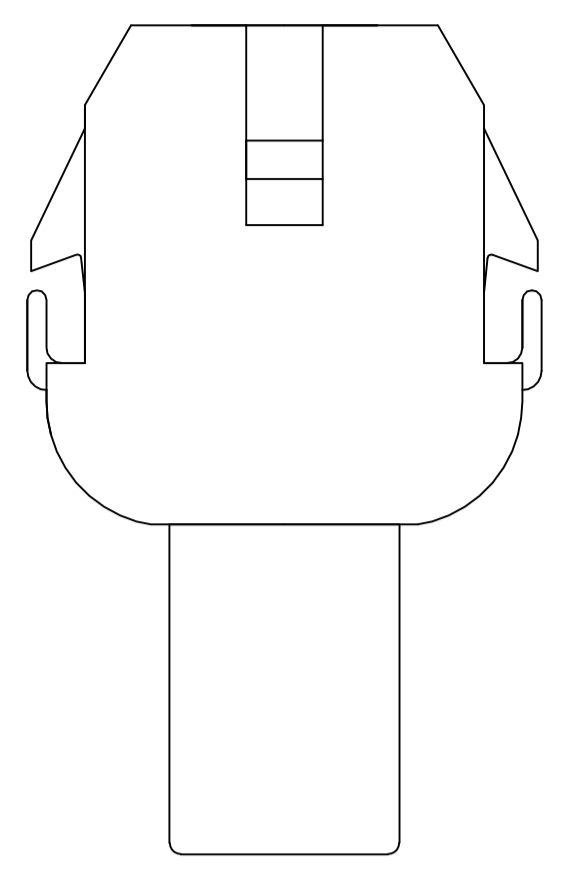
CONVERSION TABLE

△11 OBSOLETE	BLACK	1-480703-9
	GRAY	1-480703-8
	BLUE	1-480703-6
	GREEN	1-480703-5
	YELLOW	1-480703-4
	ORANGE	1-480703-3
	RED	1-480703-2
	BROWN	1-480703-1
	NATURAL	1-480703-0
	COLOR	PART NO

THIS DRAWING IS A CONTROLLED DOCUMENT.

DIMENSIONS: mm	TOLERANCES UNLESS OTHERWISE SPECIFIED:	DIN K. WHITAKER 28JUL04	CHK S. RIDGILL 28JUL04
0 PLG ± -	1 PLG ± ±	APVD S. RIDGILL 28JUL04	NAME
2 PLG ± ± 0.25	3 PLG ± ±	PRODUCT SPEC	CAP, 4 CIRCUIT, UNIVERSAL MATE-N-LOK(TM)
4 PLG ± ±	ANGLES ± ± 0°30'	APPLICATION SPEC	
MATERIAL NYLON, UL94V-2	FINISH -	WEIGHT -	SIZE CAGE CODE DRAWING NO RESTRICTED TO
			A1 00779 C=480703
		CUSTOMER DRAWING	SCALE 4:1 SHEET 1 OF 2 REV AM3



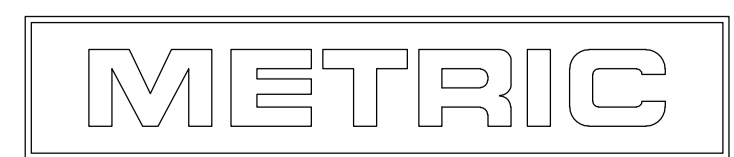


1. STAMP NUMBERS 3.18 HIGH AT WIRE END OF HOUSING (12 POINT DAVID TYPE).
2. CHARACTERS TO BE STAMPED ON HOUSING IN A MANNER AS TO BE READ FROM WIRE END ONLY.
3. VIOLET, BLACK, BROWN AND BLUE COLORED BLOCKS TO BE STAMPED WITH WHITE CHARACTERS. ALL OTHER COLORED BLOCKS TO BE STAMPED WITH BLACK CHARACTERS.

MM	IN	MM	IN
8.13	.320	-	-
7.62	.300	27.43	1.080
5.08	.200	27.10	1.067
4.70	.185	26.67	1.050
3.18	.125	13.41	.528
0.38	.015	12.96	.510
MM	IN	MM	IN

CONVERSION TABLE

NATURAL	2-480703-0
COLOR	PART NO



THIS DRAWING IS A CONTROLLED DOCUMENT.		DWN: K. WHITAKER 28JUL04	TE Connectivity	
DIMENSIONS: mm		CHK: S. RIDGILL 28JUL04	NAME: CAP, 4 CIRCUIT, UNIVERSAL MATE-N-LOK(TM)	
TOLERANCES UNLESS OTHERWISE SPECIFIED:		APP'D: S. RIDGILL	PRODUCT SPEC: -	
0. PLC ± -		APPLICATION SPEC: -		
1. PLC ± -		SIZE: A1		
2. PLC ± 0.25		CAGE CODE: 00779		
3. PLC ± -		DRAWING NO: 480703		
4. PLC ± -		RESTRICTED TO: -		
ANGLES ± 0°30'		WEIGHT: -		
FINISH: -		CUSTOMER DRAWING		
MATERIAL: NYLON, UL94V-2		SCALE: 4:1		
		SHEET 2 OF 2		
		REV: AM3		